

# NOR-LAKE<sup>®</sup> SCIENTIFIC CHROMATOGRAPHY REFRIGERATOR

Designed to meet the demanding requirements for scientific and laboratory research. Advanced engineered design incorporates the latest in cabinet, refrigeration, temperature control and monitoring features. Provides energy efficient, convenient, safe and reliable performance for optimal storage temperature environments necessary for a wide range of life science, pharmacy, biological, medical, clinical, and industrial applications.

## Standard features:

- Digital LED display microprocessor temperature controller
- Audible and visual Hi/Lo temperature alarm
- Adjustable control range from 2°C to 10°C factory preset at 4°C
- Remote alarm contacts
- Continuous product temperature display
- Product sensor with glycerin bottle
- Power supply switch
- Exterior cabinet front, sides and back are painted white
- Exterior cabinet top and bottom are galvanized steel
- Interior cabinet liner is painted white
- Cabinet is foamed-in-place with CFC Free high density polyurethane foam insulation
- Glass door(s), full size, double pane, with anti-condensate heater wires
- Heavy duty door pivot hinges
- Pull door handles
- Magnetic door gaskets
- Centered key door lock(s) (2 keys)
- Four casters on one and two door models (2 locking), six casters (3 locking) on three door models
- 3 half-size solid stainless steel shelves per model
- 3 coated wire shelves per door section per additional door section on 2 and 3 door models
- Interior light, switch activated
- Internal electrical outlet
- Two access ports 2" sleeve with cover
- Air cooled condensing unit
- Top mounted forced air refrigeration system
- Automatic defrost and condensate evaporation
- Warranties: 18 month parts and labor, 5 year compressor (US and Canada) 18 months parts (International)
- UL/CUL listed
- Tested to meet the Maximum Daily Energy Consumption Requirements (KWhr/day) as defined by the California Energy Commission Appliance Efficiency Regulations and the ENERGY STAR<sup>®</sup> Program Requirements for Commercial Refrigerators and Freezers.

## Optional features:

- Extra shelf
- Stainless steel drawer (8 maximum)
- Wire basket drawer (6 maximum)
- Sensor access port 1" diameter
- Legs in lieu of casters
- Stainless steel interior
- Temperature chart recorder with chart paper
- 4-20ma output
- Export crating



NSCR331WWG/



NSCR241WWG/ NSCR331WWG/ NSCR522WWG/ NSCR803WWG

NORLAKE<sup>®</sup> SCIENTIFIC

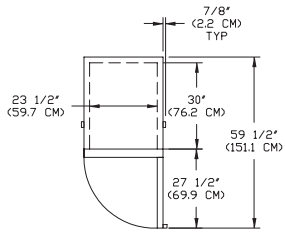


Committed to our environment

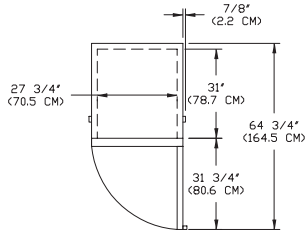


Nor-Lake, Inc.  
Registered to ISO 9001:2008  
File No. 10001816

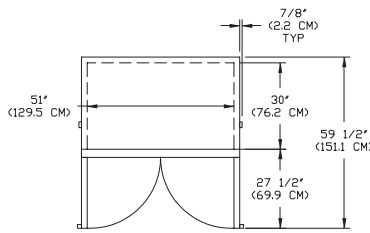
NOR-LAKE SCIENTIFIC  
A Division of  
NOR-LAKE, INCORPORATED  
727 Second Street  
P.O. Box 248  
Hudson, Wisconsin 54016  
800-477-5253  
715-386-2323  
800-388-5253 PARTS  
715-386-4290 FAX  
www.norlakescientific.com



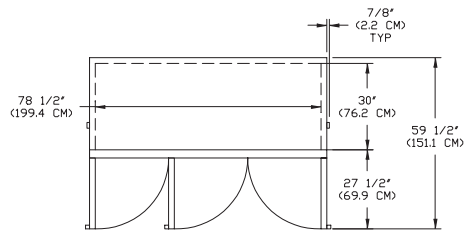
NSCR241WWG



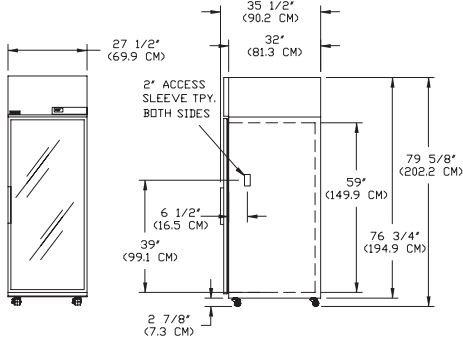
NSCR331WWG



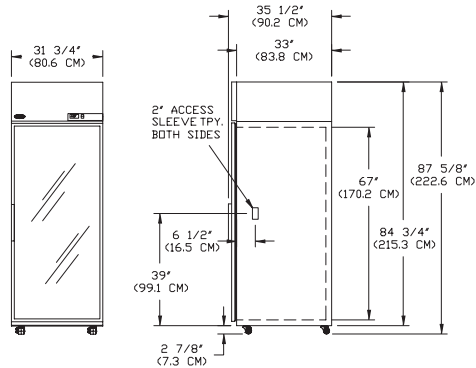
NSCR522WWG



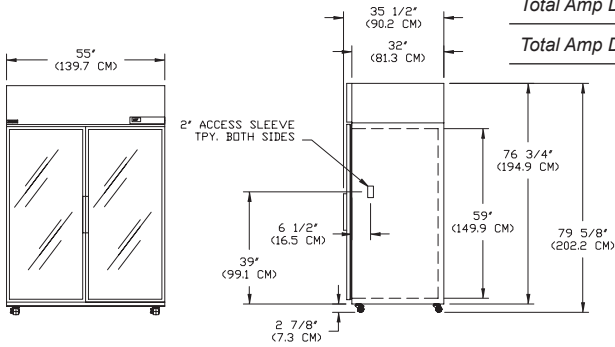
NSCR803WWG



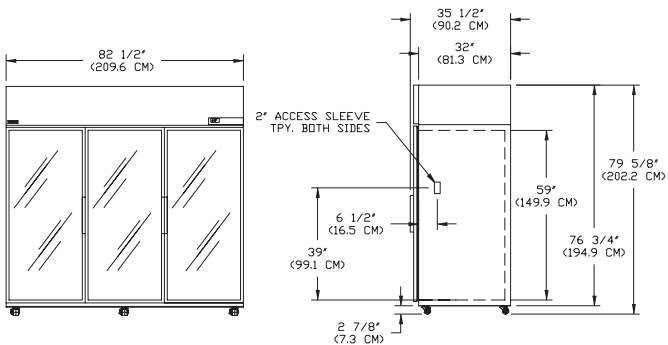
NSCR241WWG



NSCR331WWG



NSCR522WWG



NSCR803WWG

FRONT

SIDE

**SPECIFICATIONS**

Models	NSCR241WWG/0	NSCR331WWG/0	NSCR522WWG/0	NSCR803WWG/0
	NSCR241WWG/5	NSCR331WWG/5	NSCR522WWG/5	NSCR803WWG/5
Crated Height (in) (cm)	83" (205)	91" (235)	83" (205)	83" (205)
Crated Width (in) (cm)	31" (78)	89.5" (36)	59" (149)	86-1/2" (218)
Crated Depth (in) (cm)	38-7/8" (96)	39-7/8" (99)	39-7/8" (247)	38-7/8" (96)
Crated Weight (lbs) (kg)	330 (165.5 kg)	396 (284 kg)	536 (247 kg)	750 (340.1 kg)
Interior Height (in) (cm)	59" (149)	67" (170)	59" (149)	59" (149)
Interior Width (in) (cm)	23-1/2" (59)	27-3/4" (70)	51" (129)	78-1/2" (199)
Interior Depth (in) (cm)	30" (76)	31" (78)	30" (76)	30" (76)
Overall Height (in) (cm)	79-5/8" (202)	87-5/8" (222)	79-5/8" (202)	79-5/8" (202)
Overall Width (in) (cm)	27-1/2" (69)	31-3/4" (80)	55" (139)	82-1/2" (209)
Overall Depth (in) (cm)	35-1/2" (90)	36-1/2" (92)	35-1/2" (90)	35-1/2" (90)
Gross Cubage (ft.3) (m3)	24.0 (0.6)	33 (0.9)	52.0 (1.4)	80.0 (2.2)
Epoxy Coated Shelves	Optional	Optional	3	6
Solid Stainless Steel Shelves halfsize	3	3	3	3
Casters	4 (2 Locking)	4 (2 Locking)	4 (2 Locking)	6 (3 Locking)
Condensing Unit Size	1/4 HP	1/3 HP	1/2 HP	3/4 HP
Refrigerant	R-134a	R-134a	R-134a	R-134a
Maximum Fuse Size AMPS	15	15	15	15
Total Amp Draw /0	8.6	8.6	10.7	10.4
Total Amp Draw /5	3.2	3.2	4.2	8.1

Specifications subject to change without notice.

Voltage Model Suffix Code	Voltage Description	NEMA Plug	NEMA Receptacle
/0	115V, 1PH, 60HZ	5-15P	5-15R
/5	230V, 1PH, 50HZ	Power Inlet (IEC 60320) Module	Cord Supplied Locally

**NORLAKE SCIENTIFIC**

Revision Date: 2/10  
 ©2010 NOR-LAKE, INC.  
 Printed in the U.S.A.  
 Part Number: 077435

