



LAB**JAWS** Laboratory Clamps & Supports

- Multi-Purpose Clamps
- Specialty Clamps
- Clamp Accessories
- Connectors & Holders
- Lab-Frames
- Support Stands & Plates
- Safety Equipment
- Lab-Lifts
- Flow Control

MULTI-PURPOSE

UltraJaws Heavy-Duty Clamps

- Large grip adjustment range
- Single or dual adjust
- Available in three sizes; small, medium, and large
- Nickel-plated zinc

Talboys patented multi-purpose UltraJaws Heavy-Duty Clamps feature an innovative closed yoke construction that minimizes contamination and corrosion of internal components. The unique design enables secure gripping and positioning with added strength and durability.

Available in both single and dual prong adjustment, prongs open gradually to maximize grip size without binding. Both designs feature precise pressure regulation when gripping glassware surfaces to reduce the chance of breakage. UltraJaws clamps are constructed with extension rods for easy attachment to lab-frames and other apparatus. Supplied with vinyl and fiberglass sleeve prong covers for high temperature applications.

The prong height of the UltraJaws Heavy-Duty Clamps make them ideal for use in holding and securing glassware with precision ground glass joints. The chart details which UltraJaws Clamps are recommended.

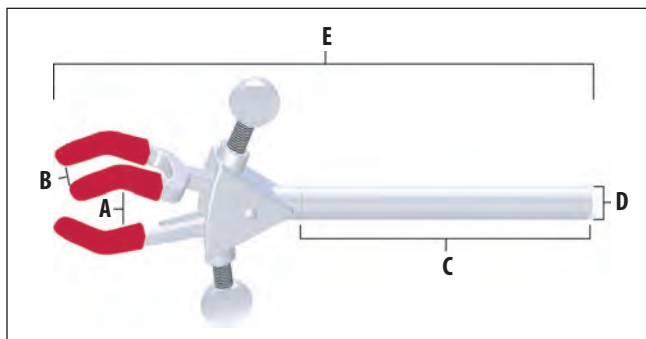
NOTE: An additional holder must be purchased in order to attach clamps to frames or other apparatus.

See the Connectors & Holders section of this catalog, pages 11-13.

Replacement vinyl and fiberglass sleeves are available, page 10.

GROUND GLASS JOINT REFERENCE CHART

Clamp	Joint Size (mm)
Small Dual Adjust	10/30, 12/30, 14/20, 19/22, 24/40, 29/42, 34/45
Medium Dual Adjust	14/40, 19/38
Large Dual Adjust	45/50



Single Adjust Clamps



Dual Adjust Clamps



3-Prong Single Adjust Clamps

Size	(A) Min. to Max. Grip Size	(B) Prong Width	(C) Arm Length	(D) Arm Dia.	(E) Overall Length	Part Number	Price
Small	0 to 23mm (0 to 0.91")	6mm (0.24")	102mm (4")	8mm (0.32")	162mm (6.38")	2824A03	\$39.20
Medium	0 to 50mm (0 to 1.97")	19mm (0.75")	127mm (5")	11mm (0.43")	229mm (9.02")	2824A06	\$40.50
Large	0 to 72mm (0 to 2.83")	29mm (1.14")	127mm (5")	11mm (0.43")	260mm (10.24")	2824A09	\$44.60

3-Prong Dual Adjust Clamps

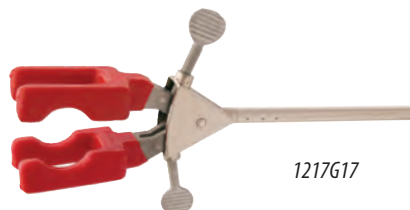
Size	(A) Min. to Max. Grip Size	(B) Prong Width	(C) Arm Length	(D) Arm Dia.	(E) Overall Length	Part Number	Price
Small	0 to 32mm (0 to 1.26")	6mm (0.24")	102mm (4")	8mm (0.32")	152mm (5.98")	2824A13	\$39.20
Medium	0 to 70mm (0 to 2.76")	19mm (0.75")	127mm (5")	11mm (0.43")	222mm (8.74")	2824A16	\$40.50
Large	0 to 103mm (0 to 4.06")	29mm (1.14")	127mm (5")	11mm (0.43")	260mm (10.24")	2824A19	\$44.60

Heavy-Duty Tapered Clamps

Heavy-Duty 4-prong, dual adjust tapered clamps are designed to hold large vessels with ground glass joint necks. Clamps are constructed with extension rods for easy attachment to lab-frames and other apparatus. Nickel-plated zinc construction.

NOTE: An additional holder must be purchased in order to attach clamps to frames or other apparatus.

See the Connectors & Holders section of this catalog, pages 11-13.



1217G17



1217G16

Size	Joint Size	Prong Width	Arm Length	Arm Dia.	Overall Length	Part Number	Price
Small	24/40mm	16mm (0.63")	229mm (9.02")	13mm (0.51")	356mm (14")	1217G16	\$110.20
Large	34/45mm	19mm (0.75")	229mm (9.02")	13mm (0.51")	381mm (15")	1217G17	\$110.20

Stainless Steel Multi-Purpose Clamps

- **Stainless steel, electro-polished finish**
- **Large dual adjustment range**
- **Available in three sizes; small, medium, and large**

These durable, multi-purpose clamps are made entirely of stainless steel with an electro-polished finish and offer excellent chemical resistance and overall strength. The versatile 3-prong design secures various lab apparatus such as jointed glassware, columns, flasks, and tubes. Dual prong adjustments offer a wide range of motion. Long stainless steel extension arm offers easy positioning and depth adjustment. Autoclavable. Supplied with vinyl and fiberglass sleeve prong covers for high temperature applications.

NOTE: An additional holder must be purchased in order to attach clamps to frames or other apparatus.

See the Connectors & Holders section of this catalog, pages 11-13.
Replacement vinyl and fiberglass sleeves are available, page 10.



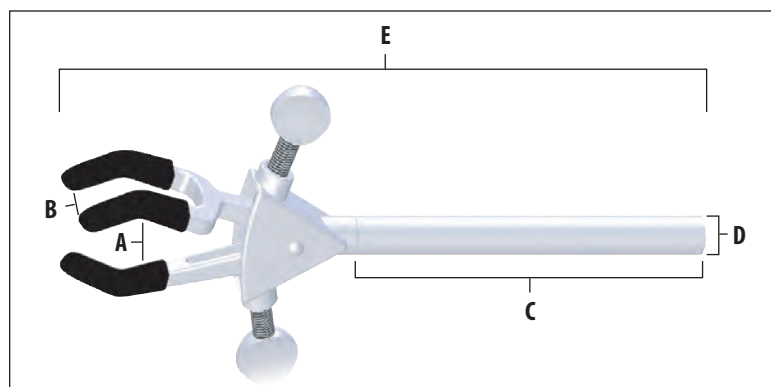
1231B30



1231B31



1231B32



3-Prong Stainless Steel Dual Adjust Clamps

Size	(A) Min. to Max. Grip Size	(B) Prong Width	(C) Arm Length	(D) Arm Dia.	(E) Overall Length	Part Number	Price
Small	0 to 48mm (0 to 1.9")	13mm (0.51")	102mm (4")	10mm (0.39")	172mm (6.77")	1231B32	\$64.60
Medium	0 to 69mm (0 to 2.72")	19mm (0.75")	127mm (5")	13mm (0.51")	229mm (9.02")	1231B31	\$74.80
Large	0 to 102mm (0 to 4")	29mm (1.14")	127mm (5")	13mm (0.51")	273mm (10.75")	1231B30	\$82.70

MULTI-PURPOSE

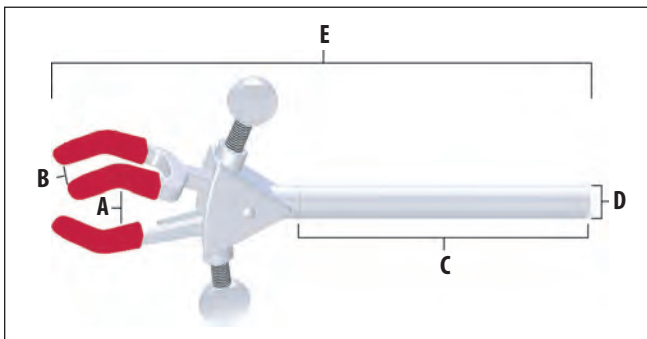
3-Prong Multi-Purpose Clamps

- Large grip adjustment range
- 3-prong construction
- Single or dual adjust
- Nickel-plated zinc

Designed to securely hold every type of laboratory glassware and apparatus. Long, seamless nickel plated brass tubing attaches clamp head securely and offers easy positioning in the deepest fume hoods. Clamps are constructed with round extension arms, which allow the clamps to be rotated 360°. Extension arms also allow placement of apparatus at various distances from lab-frames without compromising the integrity of your experiment. Supplied with vinyl and fiberglass sleeve prong covers for high temperature applications.

NOTE: An additional holder must be purchased in order to attach clamps to frames or other apparatus.

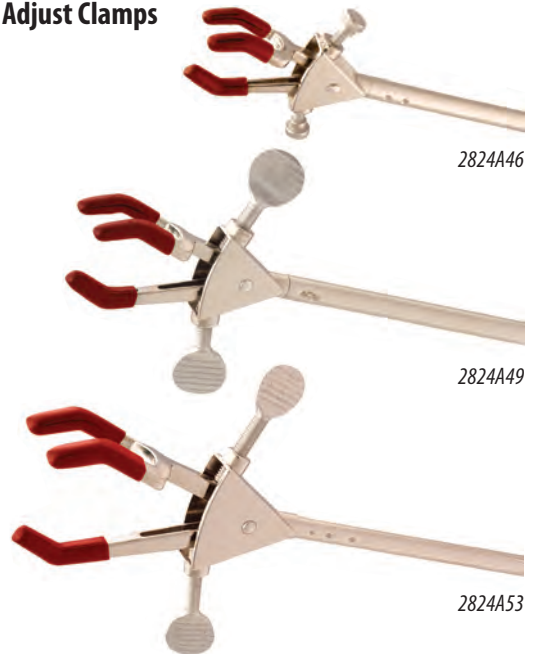
See the Connectors & Holders section of this catalog, pages 11-13.
Replacement vinyl and fiberglass sleeves are available, page 10.



3-Prong Single Adjust Clamps



3-Prong Dual Adjust Clamps



3-Prong Single Adjust Clamps

Size	(A) Min. to Max. Grip Size	(B) Prong Width	(C) Arm Length	(D) Arm Dia.	(E) Overall Length	Part Number	Price
Small	0 to 39mm (0 to 1.54")	11mm (0.43")	102mm (4")	8mm (0.32")	160mm (6.3")	2824A36	\$34.30
Medium	0 to 71mm (0 to 2.8")	19mm (0.75")	127mm (5")	11mm (0.43")	218mm (8.58")	2824A39	\$36.70
Large	0 to 108mm (0 to 4.25")	29mm (1.14")	127mm (5")	11mm (0.43")	248mm (9.76")	2824A43	\$38.20

3-Prong Dual Adjust Clamps

Size	(A) Min. to Max. Grip Size	(B) Prong Width	(C) Arm Length	(D) Arm Dia.	(E) Overall Length	Part Number	Price
Small	0 to 46mm (0 to 1.81")	11mm (0.43")	102mm (4")	8mm (0.32")	168mm (6.61")	2824A46	\$34.30
Medium	0 to 69mm (0 to 2.72")	19mm (0.75")	127mm (5")	11mm (0.43")	229mm (9.02")	2824A49	\$36.70
Medium (extended)	0 to 69mm (0 to 2.72")	19mm (0.75")	305mm (12")	11mm (0.43")	406mm (16")	1217H26	\$45.10
Large	0 to 105mm (0 to 4.13")	29mm (1.14")	127mm (5")	11mm (0.43")	273mm (10.75")	2824A53	\$38.20
Large (extended)	0 to 105mm (0 to 4.13")	29mm (1.14")	305mm (12")	11mm (0.43")	451mm (17.76")	1217H27	\$47.30

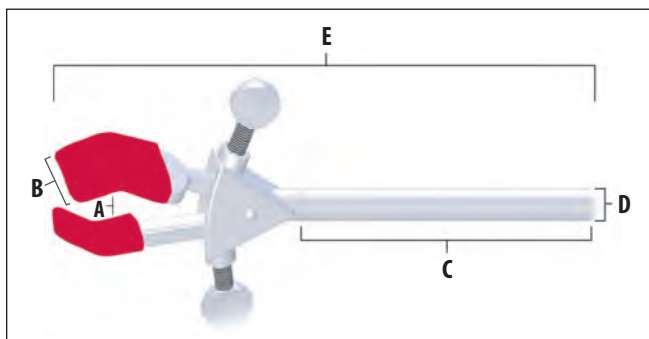
2-Prong Multi-Purpose Clamps

- Large grip adjustment range
- 2-prong construction
- Single or dual adjust
- Stainless steel electro-polished finish or nickel-plated zinc

Designed to securely hold laboratory glassware and apparatus. Extension arm attaches clamp head securely and offers easy positioning in the deepest fume hoods. Clamps are constructed with round extension arms, which allow the clamps to be rotated 360°. Extension arms also allow placement of apparatus at various distances from lab-frames without compromising the integrity of your experiment. Supplied with vinyl and fiberglass sleeve prong covers for high temperature applications.

NOTE: An additional holder must be purchased in order to attach clamps to frames or other apparatus.

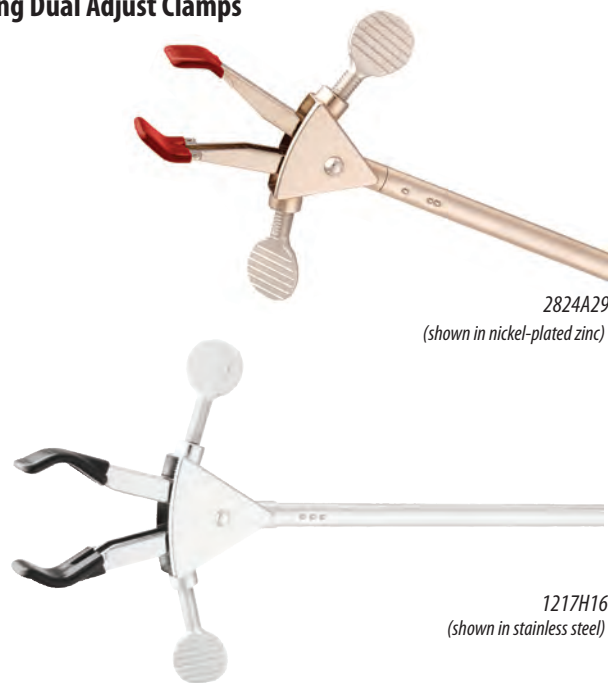
See the Connectors & Holders section of this catalog, pages 11-13.
Replacement vinyl and fiberglass sleeves are available, page 10.



2-Prong Single Adjust Clamps



2-Prong Dual Adjust Clamps



2-Prong Single Adjust Clamps

Material	Size	(A) Min. to Max. Grip Size	(B) Prong Width	(C) Arm Length	(D) Arm Dia.	(E) Overall Length	Part Number	Price
Nickel-plated zinc	Medium	0 to 78mm (0 to 3.07")	23mm (0.91")	127mm (5")	11mm (0.43")	216mm (8.5")	2824A23	\$27.40
Nickel-plated zinc	Large	0 to 92mm (0 to 3.62")	23mm (0.91")	127mm (5")	11mm (0.43")	229mm (9.02")	2824A26	\$29.80

2-Prong Dual Adjust Clamps

Material	Size	(A) Min. to Max. Grip Size	(B) Prong Width	(C) Arm Length	(D) Arm Dia.	(E) Overall Length	Part Number	Price
Stainless steel	Medium	0 to 75mm (0 to 2.95")	23mm (0.91")	127mm (5")	11mm (0.43")	229mm (9.02")	1217H13	\$68.50
Nickle-plated zinc	Medium	0 to 75mm (0 to 2.95")	23mm (0.91")	127mm (5")	11mm (0.43")	229mm (9.02")	2824A29	\$27.40
Stainless steel	Large	0 to 95mm (0 to 3.74")	23mm (0.91")	127mm (5")	11mm (0.43")	248mm (9.76")	1217H16	\$81.95
Nickle-plated zinc	Large	0 to 95mm (0 to 3.74")	23mm (0.91")	127mm (5")	11mm (0.43")	248mm (9.76")	2824A33	\$29.80

SPECIALTY

Swivel Clamps

Used to hold apparatus near the lab-frame. Unlike extension clamps, the swivel clamps have an integral holder for attaching to a lab-frame or other apparatus. Built-in holder grips rods up to 19mm (0.75") in diameter and is adjustable for forward or reverse-facing adjustment screws. Shaft wing-nut allows the holding angle of the swivel clamp to adjust through 360° of rotation and can be locked in place once desired position is achieved. Stainless steel electro-polished finish or nickel-plated construction. Supplied with vinyl and fiberglass sleeve prong covers for high temperature applications.

NOTE: Replacement vinyl and fiberglass sleeves are available, page 10.



1217H17
(shown in stainless steel)

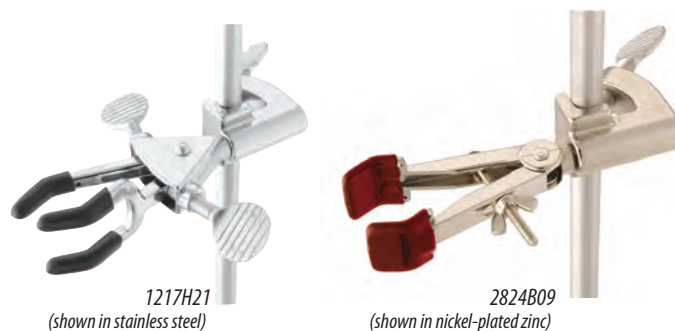
2824B03
(shown in nickel-plated zinc)

Material	Description	Size	Min. to Max. Grip Size	Prong Width	Overall Length	Part Number	Price
Stainless steel	2-Prong Single Adjust	Medium	0 to 76mm (0 to 3")	23mm (0.91")	163mm (6.42")	1217H18	\$80.40
Nickel-plated zinc	2-Prong Single Adjust	Medium	0 to 76mm (0 to 3")	23mm (0.91")	163mm (6.42")	2824A99	\$26.80
Nickel-plated zinc	2-Prong Single Adjust	Large	0 to 95mm (0 to 3.74")	23mm (0.91")	180mm (7.09")	2824B03	\$28.60
Stainless steel	3-Prong Dual Adjust	Medium	0 to 69mm (0 to 2.72")	20mm (0.79")	178mm (7.01")	1217H17	\$107.80
Nickel-plated zinc	3-Prong Dual Adjust	Medium	0 to 69mm (0 to 2.72")	20mm (0.79")	178mm (7.01")	2824B06	\$39.20

Fixed-Position Clamps

Used to hold apparatus near the lab-frame where no adjustment is required after set-up. Built-in holder grips rods up to 19mm (0.75") in diameter. Fixed-position clamps have an integral holder but can be rotated after attachment to a lab-frame or other apparatus. Available in 2-prong or 3-prong. Stainless steel electro-polished finish or nickel-plated zinc construction. Supplied with vinyl and fiberglass sleeve prong covers for high temperature applications.

NOTE: Replacement vinyl and fiberglass sleeves are available, page 10.



1217H21
(shown in stainless steel)

2824B09
(shown in nickel-plated zinc)

Material	Description	Size	Min. to Max. Grip Size	Prong Width	Overall Length	Part Number	Price
Stainless steel	2-Prong Single Adjust	Medium	0 to 77mm (0 to 3.03")	23mm (0.91")	133mm (5.24")	1217H22	\$79.50
Nickel-plated zinc	2-Prong Single Adjust	Medium	0 to 77mm (0 to 3.03")	23mm (0.91")	133mm (5.24")	2824B09	\$26.50
Stainless steel	3-Prong Dual Adjust	Medium	0 to 69mm (0 to 2.72")	20mm (0.79")	146mm (5.75")	1217H21	\$99.60
Nickel-plated zinc	3-Prong Dual Adjust	Medium	0 to 69mm (0 to 2.72")	20mm (0.79")	146mm (5.75")	2824B13	\$33.20

Double Jaw Utility Clamp

Swivels 360° and locks securely in desired position. These 2-prong clamps have a medium and a large clamp on each end. Nickel-plated zinc construction. Supplied with vinyl and fiberglass sleeve prong covers for high temperature applications.

NOTE: Replacement vinyl and fiberglass sleeves are available, page 10.



Description	Min. to Max. Grip Size	Prong Width	Overall Length	Part Number	Price
Medium 2-prong	0 to 76mm (0 to 3")	23mm (0.91")	222mm (8.74")	2824B26	\$36.10
Large 2-prong	0 to 95mm (0 to 3.74")				

Thermometer Swivel Clamp

Holds glass tubes and thermometers 114mm (4.49") from support rod. Clamp features safety adjust spring plate jaws that adjust to any angle with locking wing nut. Built-in holder grips rods up to 19mm (0.75") in diameter. Lightweight, rust, and corrosion-resistant. Nickel-plated construction.

Min. to Max. Grip Size	Overall Length	Part Number	Price
6 to 8mm (0.24 to 0.32")	159mm (6.26")	2824B33	\$32.70



2824B33

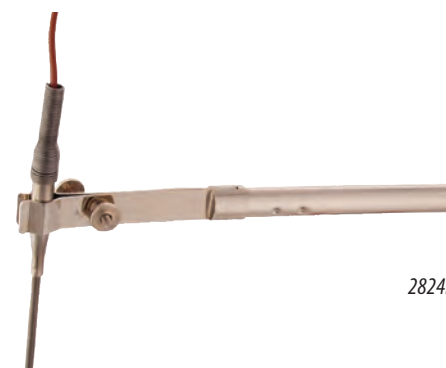
Thermometer / Thermocouple Extension Clamp

Lightweight clamp holds glass tubing/thermometers or thermocouples up to 178mm (7") from support rod. Tightening wing nut applies tension to the nickel-plated jaws.

NOTE: An additional holder must be purchased in order to attach clamps to frames or other apparatus.

See the Connectors & Holders section of this catalog, pages 11-13.

Min. to Max. Grip Size	Ext Arm Length	Arm Dia.	Overall Length	Part Number	Price
6 to 12mm (0.24 to 0.47")	127mm (5")	11mm (0.43")	210mm (8.27")	2824B36	\$27.60



2824B36

Wall Clamp

Ideal for securing fermentation tubes, burets or other small objects to walls where no frames are available. Integral self-tapping screw secures clamp to wall. Nickel-plated construction.

Min. to Max. Grip Size	Overall Length	Part Number	Price
5 to 10mm (0.2 to 0.39")	80mm (3.15")	2824B53	\$24.90



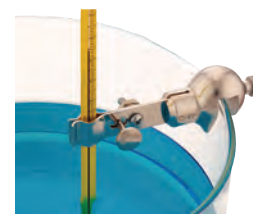
2824B53

Water Bath Clamps

Holds a variety of apparatus, including glass tubes and thermometers onto glass water bath walls. Built-in holder grips walls of varying thickness, up to 9mm (0.35"). Knurled thumbscrew tightens jaws to hold objects firmly. Nickel-plated zinc construction. Large water bath clamp is supplied with vinyl and fiberglass sleeve prong covers for high temperature applications.

NOTE: Replacement vinyl and fiberglass sleeves are available, page 10.

Size	Min. to Max. Grip Size	Prong Width	Overall Length	Part Number	Price
Small	5 to 10mm (0.2 to 0.39")	N/A	89mm (3.5")	2824B39	\$24.40
Large	0 to 46mm (0 to 1.81")	11mm (0.43")	117mm (4.61")	2824B43	\$36.40



2824B39



2824B43

SPECIALTY

For the items listed below an additional holder must be purchased in order to attach clamps to frames or other apparatus. See the Connectors & Holders section of this catalog, pages 11-13.

Chain Clamps

Holds large round or irregular shaped objects firmly, yet gently to lab-frames and rods. Quick and secure slip-on chain connection with large, easy-to-turn adjusting knob. Extension arm allows user to vary distance from the frame. Constructed of stainless steel electro-polished finish or nickel-plated zinc with strong, chromed-brass chain.

Size	Min. to Max. Dia. Size	Ext. Arm Length	Arm Dia.	Overall Length	Part Number	Price
Small	35 to 170mm (1.38 to 6.69")	127mm (5")	13mm (0.51")	188mm (7.4")	2824B23	\$47.10
Large-5	35 to 280mm (1.38 to 11.02")	127mm (5")	13mm (0.51")	206mm (8.11")	1217G41	\$69.60
Large-12	35 to 280mm (1.38 to 11.02")	305mm (12")	13mm (0.51")	384mm (15.12")	1217G42	\$73.20
Stainless Steel						
Large-5	35 to 280mm (1.38 to 11.02")	127mm (5")	13mm (0.51")	206mm (8.11")	1217G43	\$174.00



1217G43
(shown in stainless steel)

Column Clamps

These sturdy, easily adjusted, multi-purpose clamps are ideal for holding large cylindrical glassware and similar objects. A large, flat thumbscrew/worm-drive permits maximum tightening or removal in minimum time. Clamp is constructed of corrosion-resistant stainless steel. Ideal for chromatography columns.

Size	Min. to Max. Dia. Size	Ext. Arm Length	Arm Dia.	Overall Length	Part Number	Price
Small	65 to 89mm (2.56 to 3.5")	211mm (8.31")	11mm (0.43")	282mm (11.1")	2824B83	\$55.90
Medium	91 to 114mm (3.58 to 4.49")	211mm (8.31")	11mm (0.43")	315mm (12.4")	2824B86	\$57.20
Large	64 to 140mm (2.52 to 5.51")	211mm (8.31")	11mm (0.43")	338mm (13.31")	2824B89	\$58.40
X-Large	92 to 165mm (3.62 to 6.5")	211mm (8.31")	11mm (0.43")	368mm (14.49")	2824B93	\$58.20



2824B89

Nester Extension Clamp

Securely holds large or small glass distillation columns and odd-shaped glassware. Constructed of stainless steel with strong, chromed-brass band and chain.

Min. to Max. Dia. Size	Ext. Arm Length	Arm Dia.	Overall Length	Part Number	Price
50 to 102mm (1.97 to 4")	152mm (5.98")	10mm (0.39")	262mm (10.32")	2824B96	\$74.40



2824B96

PVC Coated Open Extension Rings

Ideal for supporting funnels, round bottom flasks, reaction vessels, and other apparatus that requires lower support. Opening in PVC coated aluminum ring allows for easy removal of sample container. PVC coating protects glassware. Long extension arm permits depth adjustment of the open ring from the lab-frame or ring stand.

Ring Dia.	Ext. Arm Length	Arm Dia.	Overall Length	Part Number	Price
76mm (3")	254mm (10")	9mm (0.35")	328mm (12.91")	1217H02	\$52.00
102mm (4")	305mm (12")	9mm (0.35")	404mm (15.91")	1217H03	\$58.60
127mm (5")	305mm (12")	11mm (0.43")	427mm (16.81")	1217H04	\$77.80



1217H03

Open Rings

Lightweight rings mount funnels, boiling flasks, and other irregular-shaped objects to lab-frames. Open ring section allows items to pass in and out of support area easily, reducing risk of breakage. Aluminum construction.

Ring Dia.	Ext. Arm Length	Arm Dia.	Overall Length	Part Number	Price
76mm (3")	58mm (2.28")	9mm (0.35")	132mm (5.2")	1217G99	\$23.90
102mm (4")	58mm (2.28")	9mm (0.35")	158mm (6.22")	1217H00	\$30.80
127mm (5")	61mm (2.4")	11mm (0.43")	183mm (7.2")	1217H01	\$43.60



1217H01

Buret Holders

Stainless steel electro-polished finish or nickel-plated zinc Double Buret Clamp holds any size buret from micro to 100mL capacity. Simply compress the scissor-like mechanism, insert buret and gently release to grip. Numbers and graduation on buret remain easy to read. For height adjustments, recompress mechanism and slide buret up or down and gently release. Clamp unit attaches to optional standard support rod with built-in reinforced hook connector. Adjusting nut faces forward for easy use. Stainless steel or aluminum support rod attaches to optional porcelain base.

Support Rod (dia. x L): 13 x 578mm (0.51 x 22.76")

Porcelain Base (L x W x H): 178 x 330 x 25mm (7 x 13 x 1")

Description	Part Number	Price
Double Buret Clamp (only)	2824B16	\$50.20
Support Stand with Rod (only)	2824B19	\$143.20
Double Buret Clamp & Support Stand with Rod (complete)	2824B21	\$198.80

Stainless Steel		
Description	Part Number	Price
Double Buret Clamp (only)	1217H19	\$138.05
Support Rod (only)	1217H25	\$30.00
Support stand (only)	1217H24	\$155.00
Double Buret Clamp & Support Stand with Rod (complete)	1217H23	\$285.60



1217H23
(shown in stainless steel)



4968K10

Kettle Clamps

Holds flask and cover together firmly. Three insulated spring-activated clamping arms. Stainless steel springs. For use on reaction kettles.

Flask Size	Inside Dia.	Part Number	Price
500mL, 1000mL	125mm (4.92")	4968K10	\$134.90
2000mL, 3000mL, 4000mL	142mm (5.59")	4968K20	\$137.00

Electrode Support Clamp

Permits suspension of electrodes over beaker for potentiometric titrations. Holds any electrode clamp at desired level. Built-in nickel-plated zinc holder grips rods up to 19mm (0.75") in diameter.

Overall Length	Part Number	Price
178mm (7")	2824B46	\$53.30



2824B46

Suspension Clamp

Holds thermometers, potash bulbs or drying tubes 114mm (4.49") from support rod. Machine tapered, nickel-plated brass hook won't bend, rust, or corrode. Built-in holder grips rods up to 19mm (0.75") in diameter.

Overall Length	Part Number	Price
137mm (5.39")	2824B49	\$24.90

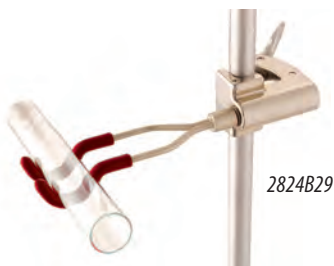


2824B49

Support Clamp

Supports electrolysis apparatus, glass rods or tubing at any angle. Arms are nickel-plated brass with vinyl coating. Easily supports cylindrical objects up to 19mm (0.75") diameter. Built-in holder grips rods up to 19mm (0.75") in diameter.

Overall Length	Prong Width	Part Number	Price
152mm (5.99")	25mm (1")	2824B29	\$67.50



2824B29

SPECIALTY

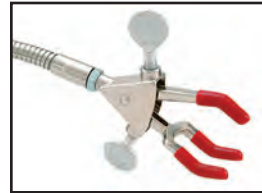
Ultra Flex Support Systems have unique flexible arms that are extremely versatile and can be placed in virtually any position or angle. The Ultra Flex comes in three different systems; base plate, lab-frame connector, and bench clamp. Each system includes a 2-Prong Clamp Head, 3-Prong Clamp Head, Spring Clamp Head, nickel-plated flex arm in 305mm (12") or 457mm (18") length, and utility wrench. 2-prong and 3-prong clamp heads also supplied with vinyl and fiberglass sleeve prong covers for high temperature applications.

Arm Length, Ultra Flex 12:	305mm (12")
Ultra Flex 18:	457mm (18")
Arm Diameter:	13mm (0.51")
Max. Grip Size, 2-Prong Clamp Head:	75mm (2.95")
3-Prong Clamp Head:	69mm (2.72")
Spring Clamp Head:	13mm (0.51")

2-Prong Clamp Head



3-Prong Clamp Head



Spring Clamp Head



Ultra Flex Support System with Base Plate

- **Stable base plate**
- **All metal construction**

Talboys Ultra Flex Support System with Base Plate is designed with a stable, steel base plate with chemical resistant black finish, that fits easily on bench tops or in fume hoods.

Description	Part Number	Price
Ultra Flex 12 with Base Plate	1233M51	\$225.60
Ultra Flex 18 with Base Plate	1233M54	\$270.90



1233M54

Ultra Flex Support System with Lab-Frame Connector

- **Cast alloy lab-frame connector**
- **Mounts to lab-frames or support stands**

Ultra Flex Support System with Lab-Frame Connector securely attaches to support stands, lab-frames, or any support rod up to 19mm (0.75") in diameter. Ideal for use in fume hoods. Lab-frame connector is made of cast alloy.

Description	Part Number	Price
Ultra Flex 12 with Lab-Frame Connector	1233M53	\$174.10
Ultra Flex 18 with Lab-Frame Connector	1233M56	\$208.10



1233M53

Ultra Flex Support System with Bench Clamp

- **Aluminum bench clamp**
- **Easily attaches to most lab benches**

Ultra Flex Support System with Bench Clamp easily attaches to the side of your lab bench or counter top, which helps utilize more space in your lab. Bench clamp is aluminum.

Description	Part Number	Price
Ultra Flex 12 with Bench Clamp	1233M52	\$199.80
Ultra Flex 18 with Bench Clamp	1233M55	\$237.90



1233M55

Replacement Parts

Description	Part Number	Price
2- Prong Clamp Head	1217G91	\$24.90
3- Prong Clamp Head	1217G92	\$33.10
Spring Clamp Head	1217G93	\$26.00
12" Flex Arm	1217G90	\$105.10
18" Flex Arm	1217G97	\$156.60
Base Plate	1217G94	\$122.60
Lab-Frame Connector	1217G96	\$41.60
Bench Clamp	1217G95	\$75.40

Replacement Sleeves

Sleeves are easily removed for cleaning or replacement. Both vinyl and fiberglass sleeves are available. Fiberglass sleeves are recommended for all applications above 100°C (212°F).



Clamp Size	Red Vinyl Sleeve		Black Vinyl Sleeve		Fiberglass Sleeve	
	Part Number	Price	Part Number	Price	Part Number	Price
Medium 2-Prong (2 pack)	0867D97	\$7.20	N/A	N/A	0867D99	\$7.20
Large 2-Prong (2 pack)	0867E02	\$7.20	N/A	N/A	0867E04	\$7.20
Small 3-Prong (3 pack)	0867E06	\$7.20	1217H28	\$7.20	0867E08	\$7.20
Medium 3-Prong (3 pack)	0867E10	\$7.20	1217H29	\$7.20	0867E12	\$7.20
Large 3-Prong (3 pack)	0867E14	\$7.20	1217H30	\$7.20	0867E16	\$7.20

Thumbscrew Knob

Thumbscrew tightening knob features a 32mm (1.25") slot in the center of a nylon disc that will accept thumbscrews supplied with the LabJaws and UltraJaws Multi-Purpose Clamps, excluding the stainless steel version. Makes tightening of clamps easier on the hands and wrists.

Overall Diameter	Thumbscrew Slot	Part Number	Price
64mm (2.5")	32mm (1.25")	1217G15	\$35.00



CONNECTORS & HOLDERS

Regular Holder

Stainless Steel electro-polished finish or nickel-plated zinc construction. Ideal for holding clamps to lab-frames. Use wherever clamping at 90° is required.

Material	Min. to Max. Grip Size	Part Number	Price
Stainless steel	(0 to 0.71")	1217H12	\$44.25
Nickel-plated zinc	(0 to 0.71")	2824C83	\$17.70



Jumbo Holder

Stainless steel electro-polished finish or aluminum construction. Ideal for holding clamps to lab-frames or ring stands.

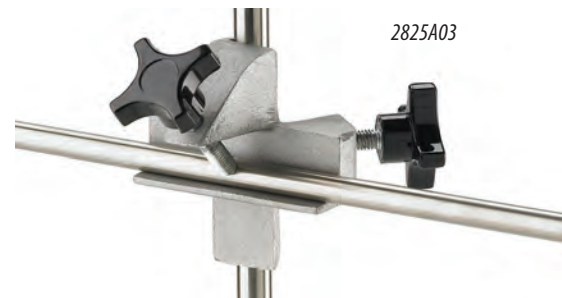
Material	Min. to Max. Grip Size	Part Number	Price
Stainless steel	0 to 21mm (0 to 0.83")	1231B35	\$44.30
Aluminum	0 to 21mm (0 to 0.83")	2824C86	\$26.30



Heavy-Duty Holder

For mounting stirrers and other apparatus. Clamp is constructed of strong aluminum alloy; fitted with over-sized knobs for very secure positioning. Rods supported on 102mm (4") long surface to avoid vibration and wobble.

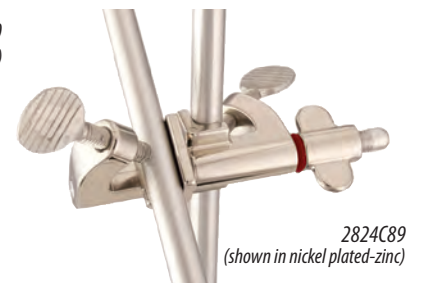
Material	Min. to Max. Grip Size	Part Number	Price
Aluminum	6 to 24mm (0.24 to 0.95")	2825A03	\$77.00



Swivel Holder

Two rod holders with center swivel capacity allow tilting of clamps at any angle in parallel planes. Outside adjustment screw allows close proximity between items being held. Stainless Steel electro polished or Nickel-plated zinc construction

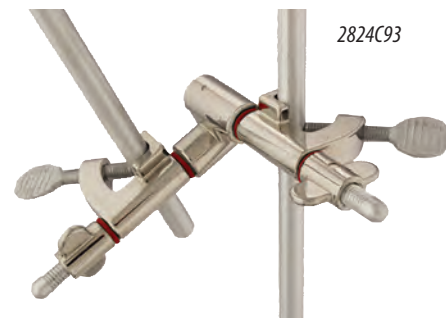
Material	Min. to Max. Grip Size	Part Number	Price
Stainless steel	0 to 19mm (0 to 0.75")	1217H20	\$72.00
Nickel-plated zinc	0 to 19mm (0 to 0.75")	2824C89	\$24.00



All-Position Clamp Holder

Surpass standard holding capabilities. The all-position clamp holder permits adjustment at any angle in any plane. Holders are set at 90° to each other, connected by a 90° connector, allowing 360° rotation. Nickel-plated zinc construction

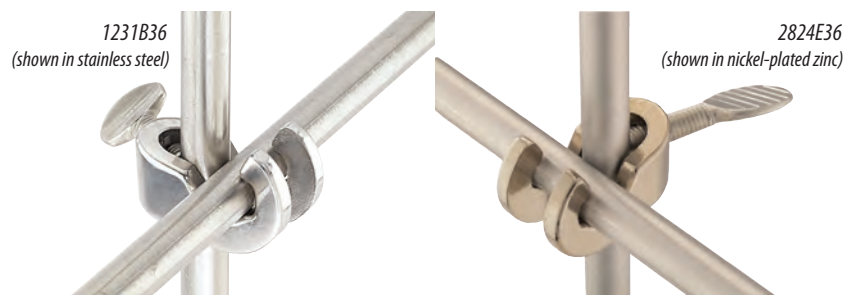
Min. to Max. Grip Size	Part Number	Price
0 to 19mm (0 to 0.75")	2824C93	\$48.70



Hook Connector

Stainless steel electro-polished finish or nickel-plated zinc construction. Simple, versatile, and easy-to-use. Hook connectors allow one-handed assembly of two components with one adjustment screw.

Material	Min. to Max. Grip Size	Part Number	Price
Stainless steel	0 to 13mm (0 to 0.51")	1231B36	\$24.90
Nickel-plated zinc	0 to 13mm (0 to 0.51")	2824E36	\$9.80



End-to-End Connector

Extend the length of lab-frame rods. Strong aluminum alloy connector permits end-to-end joining of rods. Precision boring of connector ensures perfect alignment of rods. Corrosion-resistant. Comes with two set screws.

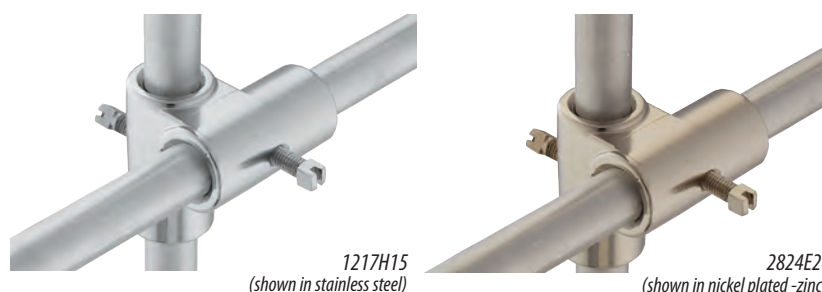
Min. to Max. Grip Size	Part Number	Price
0 to 13mm (0 to 0.51")	2824E49	\$18.40



Rod End Connector

Holds rods firmly at 90°. Use when semi-permanent installations are required. Comes with two set screws and is precision bored for close fit. Stainless steel electro-polished finish or nickel-plated zinc construction.

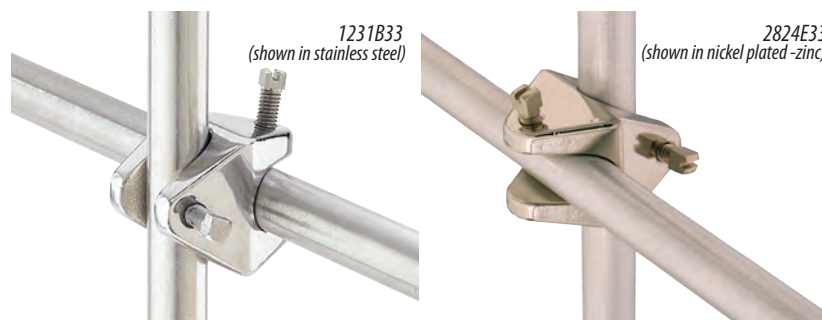
Material	Min. to Max. Rod Size	Part Number	Price
Stainless Steel	0 to 13mm (0 to 0.51")	1217H15	\$28.00
Nickel-plated zinc	0 to 13mm (0 to 0.51")	2824E29	\$11.20



S-Connector

Stainless steel electro-polished finish or nickel-plated zinc. Clamp is ideal for constructing lab-frames or other supports requiring the connection of two perpendicular rods. Clamp connects two 13mm (0.51") rods at a 90° angle and features separate adjustment screws for each rod location.

Material	Min. to Max. Grip Size	Part Number	Price
Stainless steel	0 to 13mm (0 to 0.51")	1231B33	\$26.10
Nickel-plated zinc	0 to 13mm (0 to 0.51")	2824E33	\$16.00



Frame Connector (pack of 12)

Improved contour delivers simplicity and strength. Angled adjustment screws allow easy set-up and prevent misalignment. Smooth, rounded surfaces are easy-to-clean. Small size maximizes lab-frame space. Bright dipped aluminum finish sealed with silicon for maximum protection against corrosion.

Min. to Max. Grip Size	Part Number	Price (12 pack)
0 to 13mm (0 to 0.51")	2824E26	\$167.90



CONNECTORS & HOLDERS

Universal Stirrer Mounting Bracket

Use to mount stirrers and other devices to lab-frames. Aluminum mounting bracket with attachment screws.

Max. Weight Mounted	Min. to Max. Grip	Part Number	Price
5lbs (2.27kg)	0 to 20mm (0 to 0.78")	2824B30	\$6.50

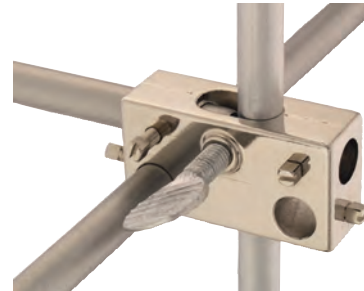


2824B30

Multi-Rod Connector

Maximum adjustment capability within one connector. Two adjustment rods fit into the oval hole in the connector, preventing turning when tightened. Side and front 13mm (0.51") holes allow creation of a variety of configurations. Nickel-plated zinc construction.

Min. to Max. Rod Size	Part Number	Price
0 to 13mm (0 to 0.51")	2824E43	\$28.30



2824E43

Wrench

Special adjusting wrench is for use with lab-frame items with set screws.

Length	Part Number	Price
79mm (3.11")	2824E69	\$41.60

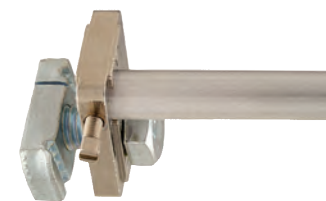


2824E69

Channel Connector

Special connector fastens lab-frame rod to steel 41mm (1.61") channels. Loosen the connector and slide up or down for easy adjustment of rod position.

Dimensions	Part Number	Price
33 x 40mm (1.3 x 1.58")	2824E39	\$17.80



2824E39

Horizontal Mounting Bars with Coupler

Threaded end for direct installation into channels. Comes with spring coupler for use in steel 41mm (1.61") channels. Locking nut included. Use with steel channel frames.

Bar Length	Part Number	Price
51mm (2")	2824E56	\$21.40
102mm (4")	2824E59	\$23.80
152mm (6")	2824E63	\$26.00
203mm (8")	2824E66	\$28.00



2824E63

Frame Rods

Everything you need to customize a lab-frame to your laboratory space. Quality construction throughout. Frame rods are available in many lengths and materials.

Aluminum

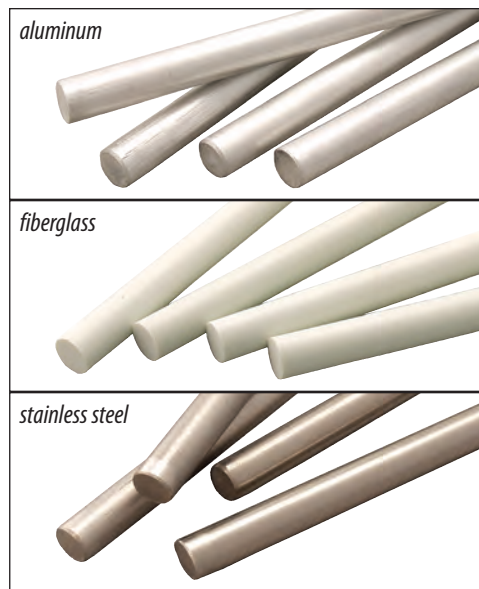
Center-less ground for precise fit. These hard aluminum rods provide a smooth fit with lab-frames. Corrosion resistant with chamfered ends for easy location.

Fiberglass

Strong and resilient, fiberglass rods will not corrode or rust. Structurally strong and resilient to clamp compression scars.

Stainless Steel

Heavy-duty, top-of-the-line rods provide maximum strength and durability. Constructed of 303 stainless steel.



Rod Diameter	Rod Length	Aluminum		Fiberglass		Stainless Steel	
		Part Number	Price	Part Number	Price	Part Number	Price
0.51" (13mm)	1.61" (41mm)	2824D16	\$4.20	2824D53	\$3.80	2824D89	\$6.40
0.51" (13mm)	2" (51mm)	2824D19	\$5.50	2824D56	\$3.80	2824D93	\$6.40
0.51" (13mm)	6" (152mm)	2824D23	\$7.40	2824D59	\$6.60	2824D96	\$10.10
0.51" (13mm)	12" (305mm)	2824D26	\$12.30	2824D63	\$10.10	2824D99	\$16.90
0.51" (13mm)	18" (457mm)	2824D29	\$13.90	2824D66	\$12.90	2824E03	\$22.10
0.51" (13mm)	24" (610mm)	2824D33	\$16.90	2824D69	\$15.10	2824E06	\$28.00
0.51" (13mm)	36" (914mm)	2824D36	\$18.60	2824D73	\$17.20	2824E09	\$40.40
0.51" (13mm)	48" (1219mm)	2824D39	\$29.10	2824D76	\$26.30	2824E13	\$51.20
0.51" (13mm)	60" (1524mm)	2824D43	\$33.40	2824D79	\$31.20	2824E16	\$59.60
0.51" (13mm)	72" (1829mm)	2824D46	\$37.40	2824D83	\$32.00	2824E19	\$71.40
0.51" (13mm)	96" (2438mm)	2824D49	\$47.60	2824D86	\$44.60	2824E23	\$93.90

Lab-Frame Foot

Stainless steel electro-polished finish or nickel-plated zinc construction. Strong, durable lab-frame foot is designed for mounting lab-frames permanently to bench tops, fume hoods, walls, and floors. Spilled fluids roll right off the smooth body contour, minimizing contamination and easing clean-ups. Features a set screw and includes three 0.75" (19mm) mounting screws.

Material	Min. to Max. Grip Size	Dimensions (Dia. x H)	Part Number	Price
Stainless Steel	0 to 0.51" (0 to 13mm)	2.75 x 1.25" (70 x 32mm)	1231B34	\$40.00
Nickel-Plated Zinc	0 to 0.51" (0 to 13mm)	2.75 x 1.25" (70 x 32mm)	2824E46	\$19.70



LAB-FRAMES

Lab-Frame Kits

Talboys offers the widest choice of standard frames available, plus the accessories to custom-fit any laboratory with the right frame for the job. Standard Lab-Frame sets are available in six sizes. Options of traditional center-less ground aluminum, non-corroding fiberglass, or tough stainless steel rods are available. Nickel-plated zinc connectors and lab-frame feet are standard with all kits.

Small Lab-Frame

Vertical mounting, great for glassware set-ups in small laboratories or where space is limited. Frame measures 24 x 24" (610 x 610mm). Base is 18" (457mm) wide for stability. Base may be permanently mounted to bench top with screws (included).

- Components:**
- (8) 2" (51mm) rods
 - (2) 18" (457mm) rods
 - (8) 24" (610mm) rods
 - (18) S-Connectors
 - (4) Rod End Connectors
 - (4) Lab-Frame Feet

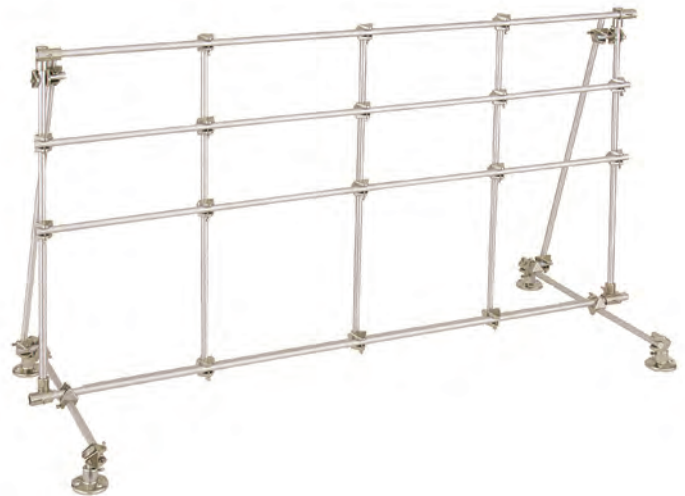


Frame Dimensions	Base Dimension	Aluminum		Fiberglass		Stainless Steel	
		Part Number	Price	Part Number	Price	Part Number	Price
24 x 24" (610 x 610mm)	18" (457mm) wide	2824C96	\$366.70	1217G46	\$458.40	1217G47	\$630.40

Medium Lab-Frame

Horizontal or vertical mounting, convenient for distillation or general set-up. Frame measures 24 x 48" (610 x 1219mm). Base is 18" (457mm) wide for stability.

- Components:**
- (8) 2" (51mm) rods
 - (2) 18" (457mm) rods
 - (7) 24" (610mm) rods
 - (4) 48" (1219mm) rods
 - (35) S-Connectors
 - (4) Rod End Connectors
 - (4) Lab-Frame Feet



Frame Dimensions	Base Dimension	Aluminum		Fiberglass		Stainless Steel	
		Part Number	Price	Part Number	Price	Part Number	Price
24 x 48" (610 x 1219mm)	18" (457mm) wide	2824C99	\$462.50	1217G48	\$636.50	1217G49	\$891.00

Large Lab-Frame

This 48 x 48" (1219 x 1219mm) frame is ideal for complex glassware setups. Base is 18" (457mm) wide for stability.

- Components:**
- (10) 2" (51mm) rods
 - (3) 18" (457mm) rods
 - (2) 36" (914mm) rods
 - (10) 48" (1219mm) rods
 - (38) S-Connectors
 - (4) Rod End Connectors
 - (6) Lab-Frame Feet



Frame Dimensions	Base Dimension	Aluminum		Fiberglass		Stainless Steel	
		Part Number	Price	Part Number	Price	Part Number	Price
48 x 48" (1219 x 1219mm)	18" (457mm) wide	2824D03	\$715.90	1217G50	\$854.90	1217G51	\$1,258.70

Extra-Large Lab-Frame

Versatile, adaptable Extra-Large Lab-Frame measures 48 x 72" (1219 x 1829mm) and may be used either horizontally or vertically.

- Components:**
- (6) 2" (51mm) rods
 - (6) 12" (305mm) rods
 - (2) 24" (610mm) rods
 - (7) 48" (1219mm) rods
 - (5) 72" (1829mm) rods
 - (45) S-Connectors
 - (4) Rod End Connectors
 - (8) Lab-Frame Feet



Frame Dimensions	Aluminum		Fiberglass		Stainless Steel	
	Part Number	Price	Part Number	Price	Part Number	Price
48 x 72" (1219 x 1829mm)	2824D06	\$992.90	1217G52	\$1,124.80	1217G53	\$1,382.30

LAB-FRAMES

Heavy-Duty Lab-Frame

Floor mounted, free-standing unit is specifically designed for heavy-duty work such as pilot plant set-ups. Outside frame is constructed of a strong, but light weight steel channel. Interior lattice uses a horizontal channel connector; one end accommodates the rod, the other end fits into the channel and locks tightly with a bolt. Loosen the bolt, and the connector slides easily along the channel track for simple lattice adjustment. Entire apparatus is supported on sturdy, counter-weighted cast iron feet, which may be bolted to the floor for added stability required in top-heavy installations.

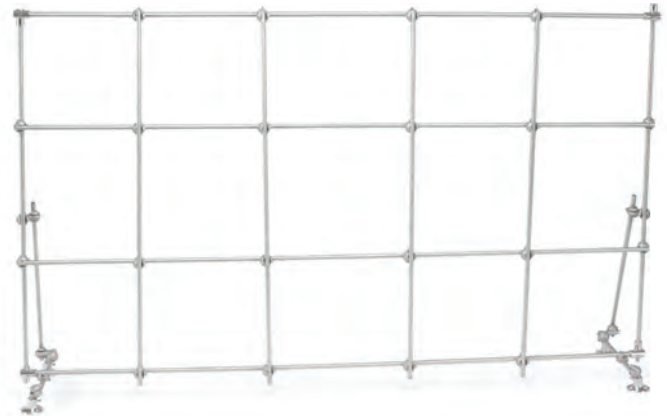
- Components:**
- (5) 48" (1219mm) rods
 - (3) 72" (1829mm) rods
 - (15) S-Connectors
 - (16) Channel Connectors
 - (24) clamping nuts
 - (2) 21.7" (551mm) cast iron feet
 - (1) frame kit
 - (1) wrench



Frame Dimensions	Overall Dimension	Aluminum		Fiberglass		Stainless Steel	
		Part Number	Price	Part Number	Price	Part Number	Price
48 x 72" (1219 x 1829mm)	75"H (1219mm) x 72"W (1829mm)	2824D13	\$1,436.90	1217G54	\$2,022.90	1217G55	\$2,687.30

Fume Hood Kits

Choose from four kits specifically designed to fit within laboratory fume hoods. Rods are constructed of stainless steel. Connectors and lab-frame feet are constructed of nickel-plated zinc.



4' (1.22m) Fume Hood Kit

- Components:**
- (8) 2" (51mm) rods
 - (2) 12" (305mm) rods
 - (2) 18" (457mm) rods
 - (4) 36" (914mm) rods
 - (4) 38" (965mm) rods
 - (30) Frame Connectors
 - (4) Rod End Connectors
 - (4) Lab-Frame Feet

Frame: 36 x 38" (914 x 965mm)
Base: 12" (305mm) wide

Part Number	Price
1217G56	\$805.50

5' (1.52m) Fume Hood Kit

- Components:**
- (8) 2" (51mm) rods
 - (2) 12" (305mm) rods
 - (2) 18" (457mm) rods
 - (5) 36" (914mm) rods
 - (4) 50" (1270mm) rods
 - (34) Frame Connectors
 - (4) Rod End Connectors
 - (4) Lab-Frame Feet

Frame: 36 x 50" (914 x 1270mm)
Base: 12" (305mm) wide

Part Number	Price
1217G57	\$873.40

6' (1.83m) Fume Hood Kit

- Components:**
- (8) 2" (51mm) rods
 - (2) 12" (305mm) rods
 - (2) 18" (457mm) rods
 - (6) 36" (914mm) rods
 - (4) 62" (1575mm) rods
 - (38) Frame Connectors
 - (4) Rod End Connectors
 - (4) Lab-Frame Feet

Frame: 36 x 62" (914 x 1575mm)
Base: 12" (305mm) wide

Part Number	Price
1217G58	\$940.40

8' (2.44m) Fume Hood Kit

- Components:**
- (10) 2" (51mm) rods
 - (3) 12" (305mm) rods
 - (2) 18" (457mm) rods
 - (8) 36" (914mm) rods
 - (4) 86" (2184mm) rods
 - (45) Frame Connectors
 - (4) Rod End Connectors
 - (6) Lab-Frame Feet

Frame: 36 x 86" (914 x 2184mm)
Base: 12" (305mm) wide

Part Number	Price
1217G59	\$1,076.40

Support Stands

This Support Stand is made entirely of 303 stainless steel. It consists of a sturdy base that can accommodate vessels up to 18" (457mm) in diameter within the "U" shaped base. The threaded stainless steel support rod is 0.63" (16mm) in diameter and is screwed into the support stand base. The base measures 17.75" (451mm) across and 10.5" (267mm) deep overall.

* Includes support rod.

Description	Part Number	Price
Support Stand with 23" (58.4cm) Rod	1217G69	\$246.00
Support Stand with 28" (71.1cm) Rod	8596B10	\$260.00
Support Stand with 36" (91.4cm) Rod	1217G70	\$297.00
Support Stand with 40" (101.6cm) Rod	1217G71	\$315.00
Support Stand with 48" (121.9cm) Rod	1217G72	\$331.00
Support Stand with 60" (152.4cm) Rod	1217G73	\$366.00

Support Stand Stabilizer Knobs

Support Stand Stabilizer Knobs can be added to the two additional threaded holes in the base legs to secure the stand to a bench top.

Description	Part Number	Price
Support Stand Stabilizer Knobs (2 per pack)	1217G68	\$49.00

Heavy-Duty Support Stands

Heavy-Duty Support Stand was designed to permit cylindrical vessels up to 12" (305mm) in diameter to sit close to the support rod. Support rod is ideal for mounting stirring motors for heavy equipment. Each of the four corners rests on a rubber cushion. The cast iron base measures 16.5" (419mm) across and 12" (305mm) deep overall and has a black enamel finish.

* Includes support rod.

Description	Part Number	Price
Heavy-Duty Support Stand with 18" (45.7) Rod	1217G61	\$241.00
Heavy-Duty Support Stand with 23" (58.4cm) Rod	1217G62	\$269.90
Heavy-Duty Support Stand with 28" (71.1cm) Rod	1217G63	\$284.30
Heavy-Duty Support Stand with 36" (91.4cm) Rod	1217G64	\$324.50
Heavy-Duty Support Stand with 40" (101.6cm) Rod	1217G65	\$345.10
Heavy-Duty Support Stand with 48" (121.19cm) Rod	1217G66	\$362.60
Heavy-Duty Support Stand with 60" (152.4 cm) Rod	1217G67	\$399.60

Replacement Support Rods

Description	Diameter	Part Number	Price
18" (45.7cm) stainless steel rod	0.63" (16mm)	1217G74	\$82.00
23" (58.4cm) stainless steel rod	0.63" (16mm)	1217G75	\$90.00
28" (71.1cm) stainless steel rod	0.63" (16mm)	8596B12	\$99.00
36" (91.4cm) stainless steel rod	0.63" (16mm)	1217G76	\$126.00
40" (101.6cm) stainless steel rod	0.63" (16mm)	1217G77	\$145.00
48" (121.9cm) stainless steel rod	0.63" (16mm)	1217G78	\$159.00
60" (152.4cm) stainless steel rod	0.63" (16mm)	1217G79	\$176.00

Support Stand



Heavy-Duty Support Stand



SUPPORT STANDS

Cast iron support stand bases are constructed with black enamel finish. All bases feature a built-in support rod holder with locking knob that accepts a 0.51" (13mm) dia. support rod.

*Support rods are not included.

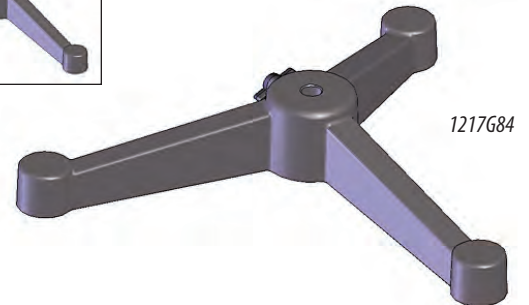
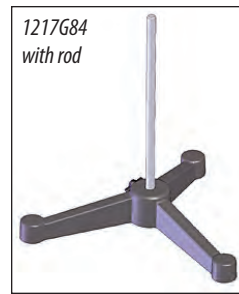
Rectangular Base Support Stand, cast iron

Description	Dimensions	Part Number	Price
Rectangular Base (only)	4 x 6" (102 x 152mm)	1217G80	\$31.80
Rectangular Base (only)	5 x 8" (127 x 203mm)	1217G81	\$52.00
Rectangular Base (only)	6 x 9" (152 x 229mm)	1217G82	\$67.90
Rectangular Base (only)	8 x 10" (203 x 254mm)	1217G83	\$99.70



Tripod Base Support Stand, cast iron

Description	Diameter	Part Number	Price
Tripod Base (only)	6" (152mm)	1217G84	\$63.70



U-Shaped Base Support Stand, cast iron

Description	Dimensions	Part Number	Price
U-Shaped Base (only)	7 x 7" (178 x 178mm)	1217G85	\$31.80



Aluminum Support Rods

Description	Diameter	Part Number	Price
12" (305mm) Aluminum Rod	0.51" (13mm)	2824D26	\$12.30
18" (457mm) Aluminum Rod	0.51" (13mm)	2824D29	\$13.90
24" (610mm) Aluminum Rod	0.51" (13mm)	2824D33	\$16.90
36" (914mm) Aluminum Rod	0.51" (13mm)	2824D36	\$18.60

Stainless Steel Support Rods

Description	Diameter	Part Number	Price
12" (305mm) Stainless Steel Rod	0.51" (13mm)	2824D99	\$16.90
18" (457mm) Stainless Steel Rod	0.51" (13mm)	2824E03	\$22.10
24" (610mm) Stainless Steel Rod	0.51" (13mm)	2824E06	\$28.00
36" (914mm) Stainless Steel Rod	0.51" (13mm)	2824E09	\$40.40

Round Support Plate

Aluminum plate supports beakers, mantles and petri dishes. Fits standard lab-frames using Talboys connectors or holders, shown on pages 101-103.

Plate Diameter	Distance from Rod	Part Number	Price
6" (152mm)	2.6" (66mm)	1217G89	\$61.10

Support Plates

Designed to hold Hotplates/Stirrers and other apparatus to lab-frames or ring stands. Aluminum construction offers strength and durability. Support plates include a non-skid rubber mat and a built-in holder that grips rods up to 0.75" (19mm) in diameter.

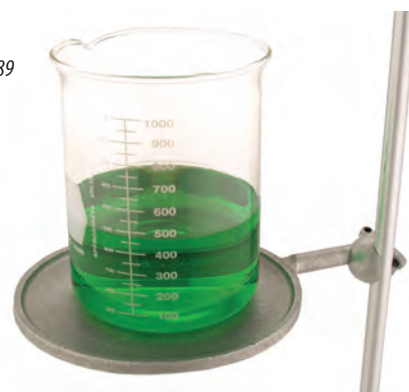
Size	Plate Dimensions	Distance from Rod	Part Number	Price
Small	9.5 x 6.5" (241 x 165mm)	1.9" (48mm)	1217G86	\$110.20
Medium	12.75 x 9" (324 x 229mm)	1.9" (48mm)	1217G87	\$178.20
Large	15.75 x 12" (400 x 305mm)	1.9" (48mm)	1217G88	\$223.50

Bench Clamp

Aluminum bracket with arm fastens quickly and firmly to any convenient shelf. Accepts 0.51" (13mm) rods vertically and horizontally, to which ordinary rings and clamps attach, leaving bench surface clear for apparatus.

Clamp Opening	Depth of Grip	Overall Length	Part Number	Price
1.7" (43mm)	2" (51mm)	7.75" (197mm)	2824E68	\$181.30

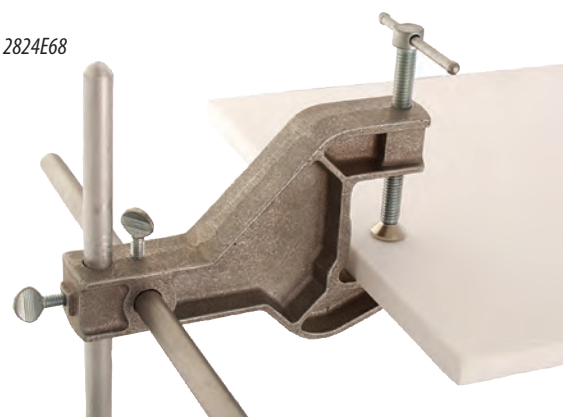
1217G89



1217G87



2824E68



CYLINDER BENCH CLAMPS

Cylinder Bench Clamps

Rugged cast aluminum clamps safely secure gas cylinders to benches, tables or other flat surfaces up to 2.5" (64mm) thick. The 1" (25mm) wide, 54" (1372mm) long nylon strap features a nickel-plated, non-slip spring catch and buckle for easy adjustment around cylinders from 4 to 14" (102 to 356mm) in diameter. Models 711 and 716 available with or without a "Secure Cylinder" safety message strap.

Model 711 Bench Clamp

This bench clamp has a large tightening handle for mounting to any flat surface up to 2.5" (64mm) thick. A nylon pad prevents damage to the bench or table surface. Two tapered mounting screw holes are provided for permanent attachment to bench-top.



safety message strap



Description	Dimensions L x W x H (closed)	Cylinder Diameter	Part Number	Price
Model 711 Bench Clamp with strap	3.25 x 5.25 x 6.5" (83 x 133 x 165mm)	4 to 14" (102 to 356mm)	5592C10	\$53.30
Model 711 Bench Clamp with safety message strap	3.25 x 5.25 x 6.5" (83 x 133 x 165mm)	4 to 14" (102 to 356mm)	1217M39	\$63.10

Model 716 Bench Clamp

This bench clamp is similar to Model 711, but includes a sturdy safety chain for extra security. Chain measures 49" (124.5cm)



safety message strap



Description	Dimensions L x W x H (closed)	Cylinder Diameter	Part Number	Price
Model 716 Bench Clamp with strap & chain	3.25 x 5.25 x 6.5" (83 x 133 x 165mm)	4 to 14" (102 to 356mm)	1217M35	\$57.80
Model 716 Bench Clamp with safety message strap & chain	3.25 x 5.25 x 6.5" (83 x 133 x 165mm)	4 to 14" (102 to 356mm)	1217M36	\$69.80

Model 712 Heavy-Duty Bench Clamp

This bench clamp has two screw clamps to tighten for extra firm mounting to any flat surface up to 1.75" (45mm) thick with a 1.25" (32mm) overhang. Especially convenient for temporary storage situations. Rugged cast aluminum bench clamp features a 1" (25mm) wide, 54" (1372mm) long nylon strap with nickel-plated, non-slip spring catch buckle to hold cylinders from 4 to 14" (102 to 356mm) in diameter. This clamp is not available with a safety message strap.



Description	Dimensions L x W x H (closed)	Cylinder Diameter	Part Number	Price
Model 712 Heavy-Duty Bench Clamp with strap	3.25 x 6 x 4.5" (83 x 152 x 114mm)	4 to 14" (102 to 356mm)	0867A05	\$56.30

Cylinder Wall Brackets

Model 715 Wall Bracket

Cylinder wall-mount brackets are constructed of cast aluminum and contoured to allow cylinders to fit firmly along the support edge. Recessed screw holes at each side of the bracket allow for easy wall mounting. Features a 1" (25mm) wide, 54" (1372mm) long nylon strap with nickel-plated, non-slip spring catch and buckle for fast, easy adjustment. Available with or without a "Secure Cylinder" safety message strap. For cylinders from 4 to 14" (102 to 356mm) in diameter.



safety message strap



Description	Dimensions L x W x H	Cylinder Diameter	Part Number	Price
Model 715 Wall Bracket with strap	1.875 x 8.125 x 4.625" (48 x 206 x 118mm)	4 to 14" (102 to 356mm)	5592F25	\$47.60
Model 715 Wall Bracket with safety message strap	1.875 x 8.125 x 4.625" (48 x 206 x 118mm)	4 to 14" (102 to 356mm)	1217M40	\$57.50

Model 717 Wall Bracket

This wall bracket is similar to Model 715, but includes a sturdy safety chain for extra security. Chain measures 49" (124.5cm)



safety message strap



Description	Dimensions L x W x H	Cylinder Diameter	Part Number	Price
Model 717 Wall Bracket with strap & chain	1.875 x 8.125 x 4.625" (48 x 206 x 118mm)	4 to 14" (102 to 356mm)	1217M37	\$52.90
Model 717 Wall Bracket with safety message strap & chain	1.875 x 8.125 x 4.625" (48 x 206 x 118mm)	4 to 14" (102 to 356mm)	1217M38	\$65.30

CYLINDER STANDS

Cylinder Stands

Model 701 PVC Coated Stand

The PVC coated stand has a flat bottom support so it can't "ride up" on the cylinder. Includes an adjustable 1" (25mm) wide, 54" (1372mm) long nylon strap with nickel-plated, non-slip spring catch and buckle for fast, easy adjustment to keep the cylinder safely in place against upper support bar. Lower support bar stops cylinder shift. The PVC coating prevents marring of the cylinder surface. This clamp is not available with a safety message strap.



Description	Dimensions L x W x H	Cylinder Diameter	Part Number	Price
Model 701 PVC Coated Stand	17.25 x 17.25 x 10.75" (438 x 438 x 273mm)	7 to 10" (178 x 254mm)	1217M41	\$373.90

Model 703 Stand

This cast aluminum stand hinges open and has 4 thumbscrews to tightly grip cylinders from 8 to 9" (203 to 229mm) in diameter.



Description	Dimensions (Dia. x H)	Cylinder Diameter	Part Number	Price
Model 703 Stand	18.25 x 6" (464 x 152mm)	8 to 9" (203 x 229mm)	1217M34	\$285.30

Model 704 Adjustable Stand

Heavy-duty, cast aluminum stand with adjustable "L" brackets hold cylinders from 6 to 9.25" (152 to 235mm) in diameter. Hinges open for installation without lifting the cylinder or disturbing connections. Prevents accidental tipping. Hinges open for easy, no-lifting installation.



Description	Dimensions (Dia. x H)	Cylinder Diameter	Part Number	Price
Model 704 Adjustable Stand	18.5 x 7.5" (470 x 191mm)	6 to 9.25" (152 x 235mm)	0867A02	\$330.60

Model 713 Portable Stand

This cast iron portable cylinder stand offers a sturdy cylinder stand and a convenient cylinder dolly all-in-one. This cylinder stand is designed in two interlocking halves and can be installed without lifting the tank. Built-in rubber wheels for easy mobility. Three thumbscrews tightly grip cylinder.



Description	Dimensions (Dia. x H)	Cylinder Diameter	Part Number	Price
Model 713 Portable Stand	14.5 x 15.5 x 3" (368 x 394 x 76mm)	7 to 9.25" (178 x 235mm)	0867A06	\$323.40

Talboys' flow control devices offer selection and quality. They are finely machined to deliver accurate regulation or interruption of fluid flow. Every flow control device resists corrosion and rust. Hosecocks offer easy one-hand operation. Convex bearing surfaces and rounded edges protect tubing. Pinchcocks are designed to quickly start and stop flow and provide complete closure without damaging tubing. Operated with a simple squeeze. Nickel-plated construction. (unless otherwise noted).

Regular Hosecock

Adjustment screw with oversized head for accurate regulation. Built-in side lugs for foot mounting. Tubing retainer screw.

Min. to Max. Grip	Dimensions (W x H - open)	Part Number	Price
0 to 17mm (0 to 0.67")	37 x 62mm (1.46 x 2.44")	2824B56	\$19.70

Stainless Steel			
Min. to Max. Grip	Dimensions (W x H - open)	Part Number	Price
0 to 17mm (0 to 0.67")	37 x 62mm (1.46 x 2.44")	1217H14	\$49.25

Heavy-Duty Hosecock

Large handwheel for ease of flow adjustment. Unique design offers unparalleled control. Works well with heavy cut nylon braided tubing.

Min. to Max. Grip	Dimensions (W x H - open)	Part Number	Price
0 to 29mm (0 to 1.14")	57 x 106mm (2.24 x 4.17")	2824B76	\$49.30

Hosecock Extension Clamp

Similar to regular hosecock but with 145mm (5.7") bottom mounted extension rod for attachment to frames/rods.

Min. to Max. Grip	Arm Length	Arm Diameter	Overall Length	Part Number	Price
0 to 17mm (0 to 0.67")	145mm (5.71")	8mm (0.32")	175mm (6.89")	2824B63	\$40.10

Hosecock Foot

Add this option to 916062 for bench or table mounting. Includes two mounting screws.

Diameter	Part Number	Price
27mm (1.06")	2824B59	\$5.30

Regular Pinchcock

For routine stop/start flow operation.

Min. to Max. Grip	Clamp Height	Part Number	Price
0 to 12mm (0 to 0.47")	47mm (1.85")	2824B66	\$20.20

Variable Flow Pinchcock

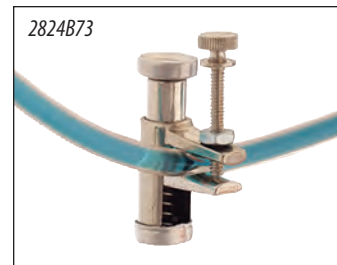
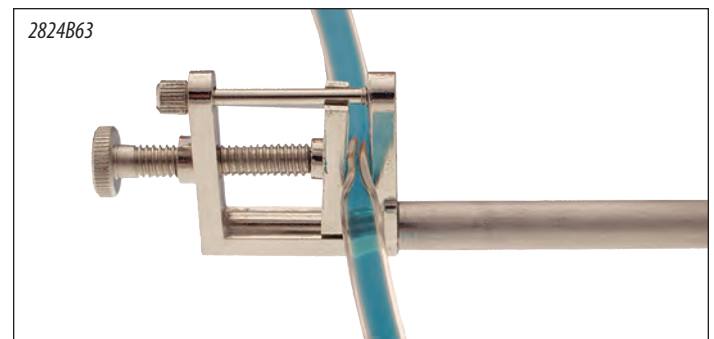
For precise flow adjustment and duplication of flow rates.

Min. to Max. Grip	Clamp Height	Part Number	Price
0 to 13mm (0 to 0.51")	47mm (1.85")	2824B73	\$25.30

Heavy-Duty Pinchcock

Equipped with heavy-duty spring for tough jobs. Ensures complete closure.

Min. to Max. Grip	Clamp Height	Part Number	Price
0 to 11mm (0 to 0.43")	48mm (1.89")	2824B69	\$20.20



LAB-LIFTS

Talboys Aluminum Lab-Lifts

- Exceptional stability and durability
- Aluminum construction
- Three convenient sizes

Aluminum Lab-Lifts provide stable height adjustment for various items in the lab such as flasks, baths, and small equipment. Top and bottom decks are constructed of anodized aluminum. Internal supports and drive screws are constructed of stainless steel. Oversized sure-grip adjustment knobs provide smooth and accurate height adjustment. Lab-Lifts accept optional Support Rod Kit which mounts to the upper deck.



Deck Size	Min. to Max. Height	Max Load*	Part Number	Price
4 x 4" (102 x 102mm)	2.5 to 5" (64 to 127mm)	25lbs (11.35kg)	1231B27	\$138.00
6 x 6" (152 x 152mm)	3 to 9.75" (76 to 248mm)	30lbs (13.62kg)	1231B28	\$170.00
8 x 8" (203 x 203mm)	3.5 to 13" (89 to 330mm)	45lbs (20.43kg)	1231B29	\$204.00

* Maximum load rating represents static weight only. Static weight is the amount a unit can hold, not lift.

Optional Accessory

17" Support Rod Kit

Ideal for creating an adjustable support stand for mounting various items such as thermometer clamps, temperature probes, flask and column clamps. This kit allows you to mount a 17" (432mm) threaded vertical support rod to the upper deck of a 6 x 6" or 8 x 8" Lab-Lift by screwing the rod into the pre-drilled hole.

17" Support Rod Kit includes: 1 - 17" (432mm) stainless steel rod
1 - jam nut
1 - flat washer

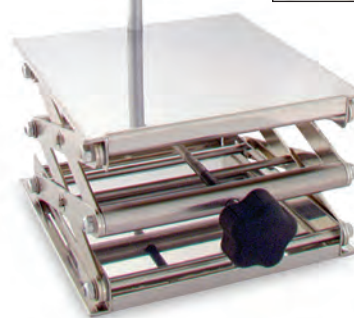
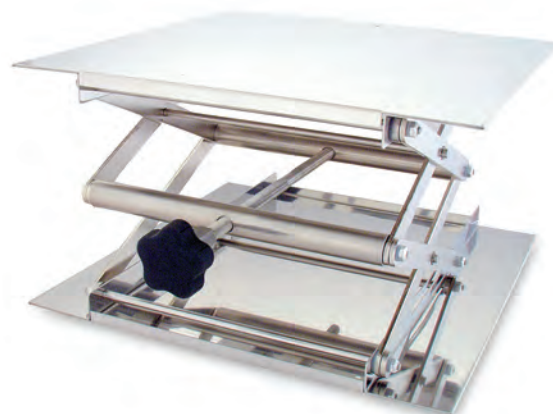
Description	Rod Diameter	Part Number	Price
17" Support Rod Kit	0.51" (13mm)	1231B26	\$26.00



Talboys Heavy-Duty Lab-Lifts

- **Stainless steel construction**
- **Seven convenient sizes to choose from**
- **Autoclavable and chemical resistant**

These heavy-duty, stainless steel Lab-Lifts are ultra-stable lifting platforms with exceptional strength and durability. Constructed of 300 series stainless steel, Lab-Lifts are designed for use in extreme environments and high load applications. Equipped with over-sized, sure-grip adjustment knobs that provide extra leverage for easy height adjustments. Durable construction allows lifts to be autoclaved or chemically cleaned. Ideal for use in fume hoods or bench tops and hold a variety of items such as glassware, hotplates, baths, and magnetic stirrers.



Deck Size	Min. to Max. Height	Max. Load*	Part Number	Price
3 x 3" (76 x 76mm)	2.5 to 5" (64 to 127mm)	20lbs (9.08kg)	1231B18	\$149.00
4 x 4" (102 x 102mm)	2.5 to 5" (64 to 127mm)	30lbs (13.62kg)	1231B19	\$181.00
6 x 6" (152 x 152mm)	3 to 9.75" (76 to 248mm)	35lbs (15.89kg)	1231B20	\$186.00
8 x 8" (203 x 203mm)	3.5 to 13" (89 to 330mm)	55lbs (24.97kg)	1231B21	\$251.00
10 x 10" (254 x 254mm)	3.5 to 13" (89 to 330mm)	80lbs (36.32kg)	1231B22	\$272.00
12 x 12" (305 x 305mm)	4 to 19.5" (102 to 495mm)	150lbs (68.1kg)	1231B23	\$718.00
16 x 16" (406 x 406mm)	4 to 19.5" (102 to 495mm)	180lbs (81.72kg)	1231B24	\$1,278.00

* Maximum load rating represents static weight only. Static weight is the amount a unit can hold, not lift.

Optional Accessories

17" Support Rod Kit

Ideal for creating an adjustable support stand for mounting various items such as thermometer clamps, temperature probes, flask and column clamps. This kit allows you to mount a 17" (432mm) threaded vertical support rod to the upper deck of a 6 x 6", 8 x 8", 10 x 10", 12 x 12", or 16 x 16" Lab-Lift by screwing the rod into the pre-drilled hole.

17" Support Rod Kit includes: 1 - 17" (432mm) stainless steel rod
1 - jam nut
1 - flat washer

Ratchet Tool

Designed to add extra leverage to your 12 x 12" or 16 x 16" Lab-Lift. This recommended Ratchet Tool easily attaches to the actuating rod to allow easy, accurate adjustments.

Description	Rod Diameter	Part Number	Price
17" Support Rod Kit	0.51" (13mm)	1231B26	\$26.00
Ratchet Tool	N/A	1231B25	\$53.00



Thomas Scientific

PO Box 99 • Swedesboro, NJ 08085

Phone: 800.345.2100 • Fax: 800.345.5232

www.thomassci.com • value@thomassci.com